

WATER METER E-TX / E-TXK / E-TX-ZAPFH MODELS 141/142

APPLICATION

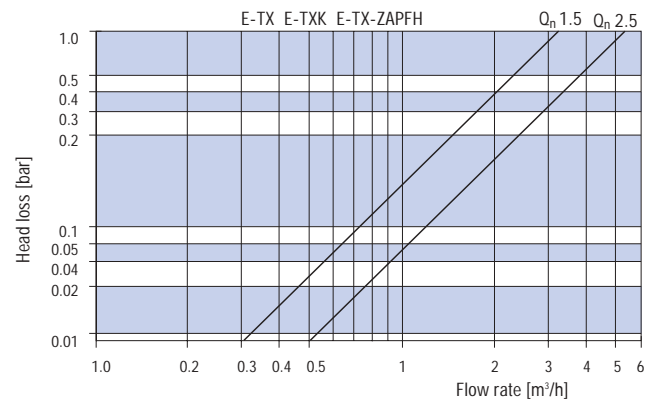
- ❑ For measuring smaller amounts of water consumption

FEATURES

- ❑ Model 141: Cold water up to 30 °C (safe up to 50 °C)
- ❑ Model 142: Warm water up to 90 °C
- ❑ Horizontal or vertical installation
- ❑ Nominal diameters DN 15-20 mm - Q_n 1.5 - 2.5 m³/h
- ❑ Operating pressure: PN 10 to DIN 2401
- ❑ Approval for class A; B•H (A any position; B horizontal)
- ❑ Single-jet impeller meter in a completely dry-running design with magnetic coupling using state-of-the-art techniques (only the impeller operates in the water chamber)
- ❑ The roller counter is dustproof and waterproof and can be rotated for easier reading
- ❑ Q_n 1.5 also available with pulse output (reed switch) 10 and 100 l/pulse (1.5-m cable). Contact rating 24 V~ 0.2 A
- ❑ Q_n 1.5 also available for taps for domestic water use (e.g. washing machine or garden hose connection)

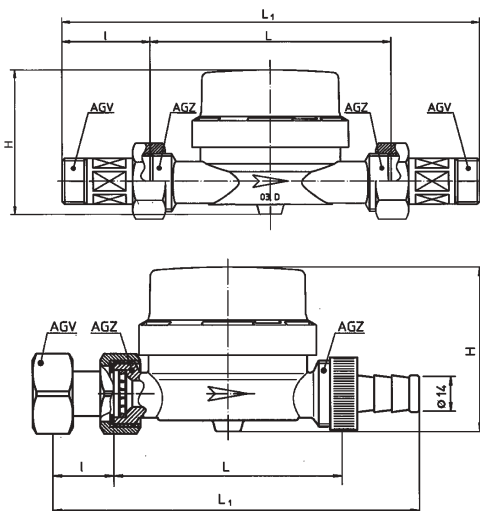


HEAD LOSS GRAPHS FOR MODEL 141/142



NOTE

HYDROMETER single-jet impeller meters can also be supplied calibrated. The meter is tested for compliance with the figures specified in the calibration regulations.



DIMENSIONS/WEIGHT MODEL 141/142 E-TX/E-TXK

| Nom. flow rate | Overall length | Meter thread | Overall length with coupling | Coupling thread | Height without coupling | Weight without coupling | Weight with coupling |
|--------------------|----------------|--------------|------------------------------|-----------------|-------------------------|-------------------------|----------------------|
| | L | AGZ | L1 | AGV | H | kg | kg |
| Q _n 1.5 | 80 | G 3/4 B | 160 | R 1/2" | 66 | 0.40 | 0.58 |
| | 110 | G 3/4 B | 190 | R 1/2" | 66 | 0.44 | 0.64 |
| | 130 | G 3/4 B | 210 | R 1/2" | 66 | 0.54 | 0.72 |
| | 130 | G 1 B | 228 | R 1/2" | 66 | 0.54 | 0.86 |
| Q _n 2.5 | 130 | G 1 B | 228 | R 3/4" | 66 | 0.54 | 0.86 |

DIMENSIONS/WEIGHT MODEL 141 E-TX ZAPFH (FOR TAP)

| Nom. flow rate | Overall length | Meter thread | Overall length with coupling | Coupling thread | Height | Weight without coupling | Weight with coupling |
|--------------------|----------------|--------------|------------------------------|-----------------|--------|-------------------------|----------------------|
| | L | AGZ | L1 | AGV | H | kg | kg |
| Q _n 1.5 | 80 | G 3/4 B | 138 | G 3/4 B-ø14 | 66 | 0.40 | 0.59 |

WATER METER E-TX / E-TXK / E-TX-ZAPFH MODELS 141/142

TECHNICAL DATA

| Model / temperature | | Metrol. class | Model 141/142 | | |
|------------------------------|-------------------------|---------------|------------------------------------|--|------|
| Type | | | | E-TX / E-TXK / E-TX-ZAPFH | E-TX |
| Nominal diameter | | | DN mm | 15 | 20 |
| Nominal flow rate | | | Q _n m ³ /h | 1.5 | 2.5 |
| Flow rate at 1 bar head loss | | | m ³ /h | 3.3 | 5.3 |
| Maximum flow rate | | | Q _{max} m ³ /h | 3 | 5 |
| Transition flow rate | horizontal installation | B | Q _t l/h | 120 | 200 |
| | any installation pos. | A | Q _t l/h | 150 | 250 |
| Lower measuring range | horizontal installation | A | Q _{min} l/h | 30 | 50 |
| | vertical installation | B | Q _{min} l/h | 60 | 100 |
| Starting | horizontal installation | | l/h | 8 | 15 |
| | vertical installation | | l/h | 16 | 25 |
| Indication range | | | | min. 0.1 l / max. 9,999 m ³ | |

ORDER REFERENCES

| Model | Q _n /PN | Type designation | Overall length | Temperature | Connection | L/pulse | *Metrol. class | Article number |
|-------|----------------------------|------------------|----------------|-------------|--------------|---------|----------------|----------------|
| 141 | 1.5 m ³ /h / 10 | E-TX | 80 mm | 30 °C | G 3/4 B | - | A / B•H | 14100100 |
| 141 | 1.5 m ³ /h / 10 | E-TX | 110 mm | 30 °C | G 3/4 B | - | A / B•H | 14100101 |
| 141 | 1.5 m ³ /h / 10 | E-TX | 130 mm | 30 °C | G 3/4 B | - | A / B•H | 14100104 |
| 141 | 1.5 m ³ /h / 10 | E-TX | 130 mm | 30 °C | G 1 B | - | A / B•H | 14100105 |
| 141 | 2.5 m ³ /h / 10 | E-TX | 130 mm | 30 °C | G 1 B | - | A / B•H | 14100035 |
| 141 | 1.5 m ³ /h / 10 | E-TXK | 80 mm | 30 °C | G 3/4 B | 10 | A / B•H | 14100107 |
| 141 | 1.5 m ³ /h / 10 | E-TXK | 80 mm | 30 °C | G 3/4 B | 100 | A / B•H | 14100108 |
| 141 | 1.5 m ³ /h / 10 | E-TXK | 110 mm | 30 °C | G 3/4 B | 10 | A / B•H | 14100109 |
| 141 | 1.5 m ³ /h / 10 | E-TXK | 110 mm | 30 °C | G 3/4 B | 100 | A / B•H | 14100110 |
| 141 | 1.5 m ³ /h / 10 | E-TXK | 130 mm | 30 °C | G 3/4 B | 10 | A / B•H | 14100111 |
| 141 | 1.5 m ³ /h / 10 | E-TXK | 130 mm | 30 °C | G 3/4 B | 100 | A / B•H | 14100112 |
| 141 | 1.5 m ³ /h / 10 | E-TXK | 130 mm | 30 °C | G 1 B | 10 | A / B•H | 14100113 |
| 141 | 1.5 m ³ /h / 10 | E-TXK | 130 mm | 30 °C | G 1 B | 100 | A / B•H | 14100114 |
| 141 | 1.5 m ³ /h / 10 | E-TX-ZAPFH | 80+58 mm | 30 °C | G 3/4 - ø 14 | - | A / B•H | 14100115 |
| 142 | 1.5 m ³ /h / 10 | E-TX | 80 mm | 90 °C | G 3/4 B | - | A / B•H | 14200100 |
| 142 | 1.5 m ³ /h / 10 | E-TX | 110 mm | 90 °C | G 3/4 B | - | A / B•H | 14200101 |
| 142 | 1.5 m ³ /h / 10 | E-TX | 130 mm | 90 °C | G 3/4 B | - | A / B•H | 14200104 |
| 142 | 1.5 m ³ /h / 10 | E-TX | 130 mm | 90 °C | G 1 B | - | A / B•H | 14200105 |
| 142 | 2.5 m ³ /h / 10 | E-TX | 130 mm | 90 °C | G 1 B | - | A / B•H | 14200041 |
| 142 | 1.5 m ³ /h / 10 | E-TXK | 80 mm | 90 °C | G 3/4 B | 10 | A / B•H | 14200107 |
| 142 | 1.5 m ³ /h / 10 | E-TXK | 80 mm | 90 °C | G 3/4 B | 100 | A / B•H | 14200108 |
| 142 | 1.5 m ³ /h / 10 | E-TXK | 110 mm | 90 °C | G 3/4 B | 10 | A / B•H | 14200109 |
| 142 | 1.5 m ³ /h / 10 | E-TXK | 110 mm | 90 °C | G 3/4 B | 100 | A / B•H | 14200110 |
| 142 | 1.5 m ³ /h / 10 | E-TXK | 130 mm | 90 °C | G 3/4 B | 10 | A / B•H | 14200111 |
| 142 | 1.5 m ³ /h / 10 | E-TXK | 130 mm | 90 °C | G 3/4 B | 100 | A / B•H | 14200112 |
| 142 | 1.5 m ³ /h / 10 | E-TXK | 130 mm | 90 °C | G 1 B | 10 | A / B•H | 14200113 |
| 142 | 1.5 m ³ /h / 10 | E-TXK | 130 mm | 90 °C | G 1 B | 100 | A / B•H | 14200114 |

Meter can be calibrated with pulse sequences ≥ 100 l. Q_n 2.5 without pulse output.

NOTE:

The types listed in the order references are standard meters (calibrated for metrological class A).

EXPLANATION OF TYPE DESIGNATIONS:

E: single-jet meter

X: counter type

ZAPFH: tap version

T: dry runner

K: pulse output